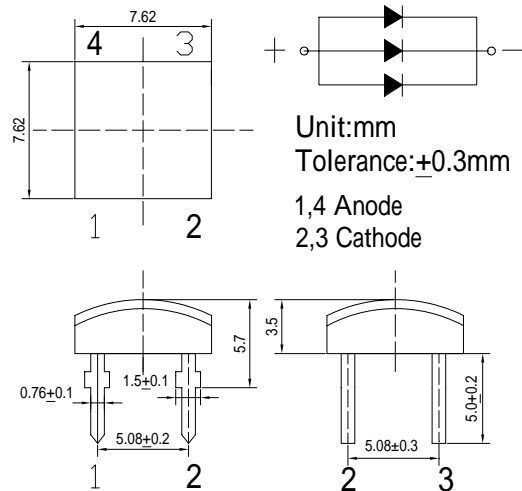


**■Features**

- High Luminous Super Flux Output
- Superior Weather-resistance
- UV Resistant Epoxy
- Long Lifetime Operation
- Water Clear Type

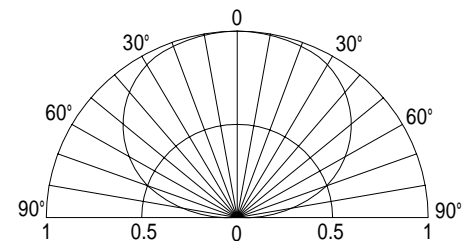
**■Applications**

- General Purpose Indicators
- Small Area Illuminations
- Back Lighting
- Other Lighting

**■Outline Dimension**

**■Absolute Maximum Rating**

(Ta=25 )

Item	Symbol	Value	Unit
DC Forward Current	$I_F$	90	mA
Pulse Forward Current*	$I_{FP}$	360	mA
Reverse Voltage	$V_R$	5	V
Power Dissipation	$P_D$	324	mW
Operating Temperature	$T_{opr}$	-30 ~ +85	
Storage Temperature	$T_{stg}$	-40 ~ +100	
Lead Soldering Temperature	$T_{sol}$	260 / 5sec	-

**■Directivity**


\*Pulse width Max.10ms , Duty ratio max 1/10

**Electrical -Optical Characteristics**

(Ta=25 )

Item	Symbol	Condition	Min.	Typ.	Max.	Unit
DC Forward Voltage	$V_F$	$I_F=90mA$	2.9	3.1	3.6	V
DC Reverse Current	$I_R$	$V_R=5V$	-	-	30	$\mu A$
Luminous Flux*	$\nu$	$I_F=90mA$	-	30	-	lm
Color Temperature	CCT	$I_F=90mA$	-	6500	-	K
Chromaticity Coordinates*	x	$I_F=90mA$	-	0.31	-	
	y	$I_F=90mA$	-	0.33	-	
50% Power Angle	$2\theta_{1/2}$	$I_F=90mA$	-	140	-	deg

\*1 Tolerance of chromaticity coordinates is ±10%

\*2 Tolerance of luminous intensity is ±15%